

ARCH VALANCE ORDER FORM

 ORDER **QUOTE**

3559 Front Mountain Road, Belleville, PA 17004 • Phone: 717-935-5753 • Fax: 717-935-9983 • www.mwpcdoor.com

Company Name: _____ P.O.#: _____

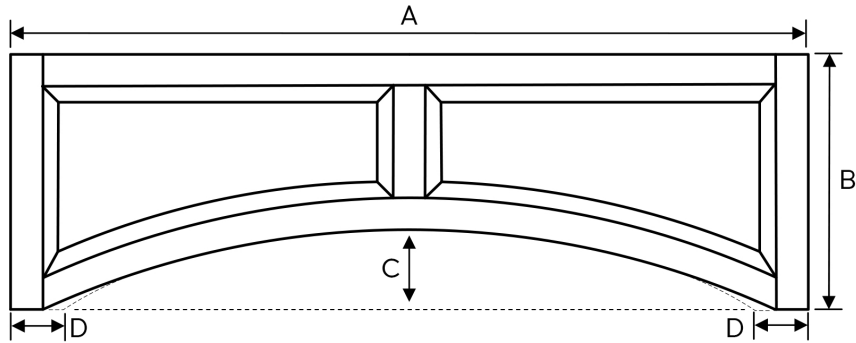
Contact Name: _____ Job Name: _____

Address: _____ Order Date: _____

Requested Ship Date: _____

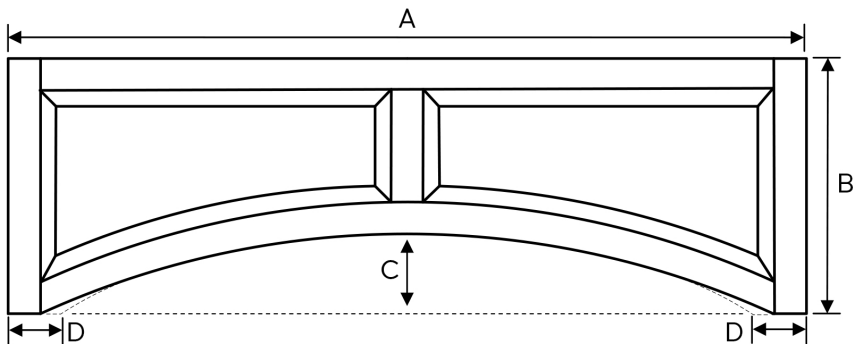
Phone: _____ Comments: _____

Fax: _____



Quantity	<input type="text"/>	Measurement	Framing Width	Frame Bead	<input type="text"/>
Species	<input type="text"/>	A	Stiles	Panel Profile	<input type="text"/>
		B	Top Rail	Lip	<input type="text"/>
		C	Arch Rail		
		*D	Center Mullions		

*Measurement if greater/less than stile width. Zero indicates a point.



Quantity	<input type="text"/>	Measurement	Framing Width	Frame Bead	<input type="text"/>
Species	<input type="text"/>	A	Stiles	Panel Profile	<input type="text"/>
		B	Top Rail	Lip	<input type="text"/>
		C	Arch Rail		
		*D	Center Mullions		

*Measurement if greater/less than stile width. Zero indicates a point.